

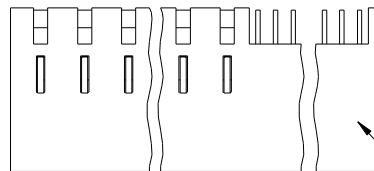
Tous droits strictement réservés. Reproduction ou communication à des tiers interdite, sous quelque forme que ce soit sans autorisation écrite du propriétaire. Propriété de c.FCI. Droits de reproduction FCI.



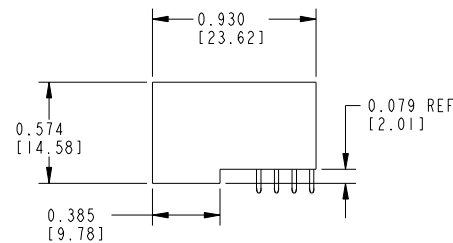
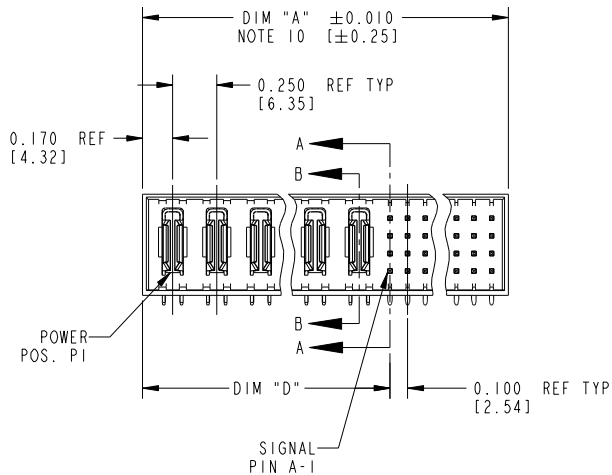
All rights strictly reserved. Reproduction or issue to third parties in any form whatever is not permitted without written authority from the proprietor. Property of FCI. Copyright FCI.

| |
|-------------------------------|
| PRODUCT NUMBER |
| 51726- ABBCC00E0.. Note: ① |
| SEE NOTE 1 |

1 | 2 | | | | | | | | | | 3 | 4



SEE NOTE 9



| | | | | | | | | | | | |
|-------------|----------------|----|----------|--------|----------------------|---------------------------------------|--|-----------------|--|---------------------------|--|
| mat'l code | | | | NOTE 2 | | tolerances unless otherwise specified | | CUSTOMER COPY | | FCI www.fciconnect.com | |
| ltr | ecn no. | dr | date | linear | .XX±.01/.X±.3 | projection | title RIGHT ANGLE HEADER w/o GUIDE PIN POWER / SIGNAL | | | | |
| K | DG05-0132 | SJ | 06/01/05 | | .XXX±.005/.XX±.13 | | product family PWRBLADE code 213 | | | | |
| L | DG06-0011 | CS | 01/13/06 | angles | .XXX±.0020/.XXX±.051 | | size dwg no 51726 SHEET 1 OF 3 | | | | |
| M | DG08-0239 | JC | 09/11/08 | | 0°±2° | INCH / MM | scale 1:1 | | | | |
| | | | | dr | D.BOGLE 05-18-99 | A | | cage code 22526 | | | |
| | | | | enr | J. BROWN 05-18-99 | | | | | | |
| | | | | chr | J. BROWN 05-18-99 | | | | | | |
| | | | | appd | J. BROWN 05-18-99 | | | | | | |
| sheet index | revision sheet | M | M | M | | | | | | | |
| | | 1 | 2 | 3 | | | | | | | |

form no. 7530-001-103

1 | 2

3 |

cage code 22526

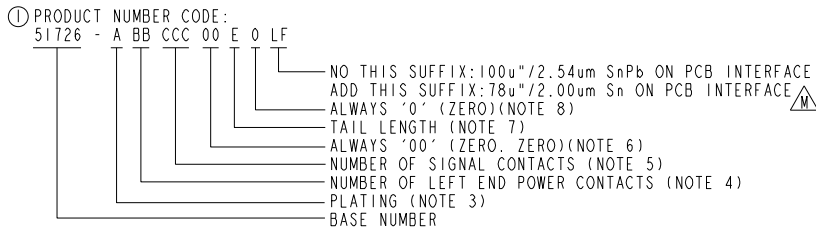
4

Tous droits strictement reserves. Reproduction ou communication a des tiers interdite, sous quelque forme que ce soit sans autorisation écrite du propriétaire. Propriete de c FCI. Droits de reproduction FCI.

| |
|-----------------------------|
| PRODUCT NUMBER |
| 51726-ABBCC00E0- Note: ① |
| SEE NOTE 1 |

| | |
|---------|--|
| DIM | LENGTH FORMULAS (SEE NOTE 10) |
| DIM "A" | .250 [6.35] x BB + .100 [2.54] x (CCC/4) + .090 [2.29] (NOTE 10) |
| DIM "D" | .250 [6.35] x BB + .095 [2.41] |
| DIM "F" | .250 [6.35] x BB + .100 [2.54] x (CCC/4) + .120 [3.05] |
| DIM "G" | .250 [6.35] x BB - .025 [0.64] |

CONNECTOR NOTES



- ⑧ BOARD RETENTION NOT AVAILABLE WITH GUIDELESS ENDS.
 - ⑨ MANUFACTURE'S NAME, P/N, AND DATE CODE TO APPEAR ON THIS SURFACE.
 - ⑩ THE MAXIMUM OVERALL LENGTH (DIM A) OF A PART IS 8.00 [203.2]
 - 11. PRODUCT SPECIFICATION GS-12-149
 - 12. REFERENCE 51697 FOR SPECIAL WORKSHEET
- PCB NOTES:
- 13. ALL DIMENSIONS ARE BASIC UNLESS OTHERWISE SPECIFIED.
 - 14. ALL THROUGH HOLES ARE LOCATED WITH A TRUE POSITION OF .004[0.10]
 - 15. ALL HOLE DIAMETERS ARE FINISHED HOLE SIZE.
 - 16. $\varnothing 0.0453 \pm .001$ [1.151 ± 0.02] DRILLED HOLES PLATED WITH 0.0003 [0.007] MIN SnPb OVER 0.001 [1.03] TO .003 [0.08] PLATING TO ACHIEVE A .040 \pm .003 [1.02 \pm 08] HOLE.
 - 17. A SYMBOL WILL BE NEXT TO ANY DIMENSION, VIEW, OR NOTE WHICH HAS BEEN MODIFIED WITH THE CURRENT DRAWING REVISION.



All rights strictly reserved. Reproduction or issue to third parties in any form whatever is not permitted without written authority from the proprietor. Property of FCI. Copyright FCI.

- ② HOUSING MATERIAL: GLASS FILLED V-O HIGH TEMP THERMO PLASTIC.
SIGNAL CONTACT MATERIAL: PHOS BRONZE
POWER CONTACT MATERIAL: COPPER ALLOY
- ③ PLATING OPTION:
 = SEE PRINT 10064183 FOR PLATING SPEC OF 51726-IBBCC00E0; 51726-IBBCC00E0LF
- ④ THIS PART IS NOT AVAILABLE WITH RIGHT SIDE POWER CONTACTS.
- ⑤ SIGNAL CONTACTS, 004 TO 148 AVAILABLE.
- ⑥ LEFT END POWER CONTACTS, 01 TO 20 AVAILABLE.
MAXIMUM OF 20 POWER CONTACTS PER CONNECTER
- ⑦ TAIL LENGTH:
A = .135 [3.43] SOLDER TO BOARD

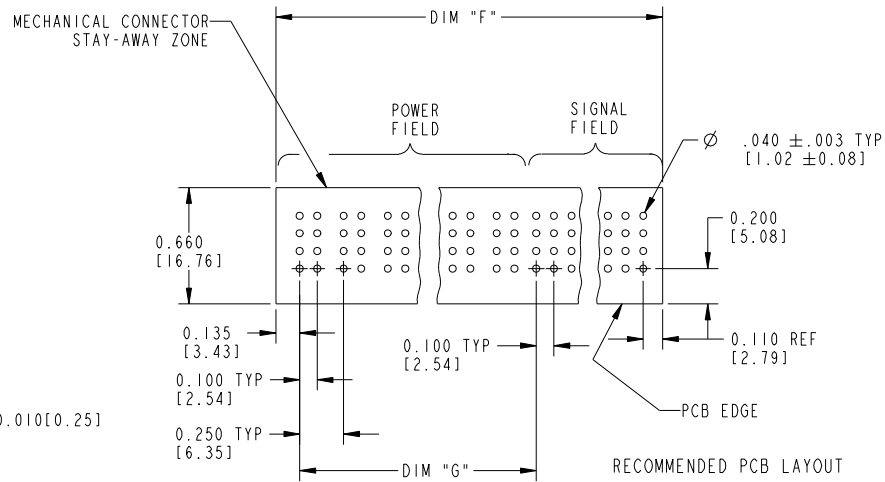
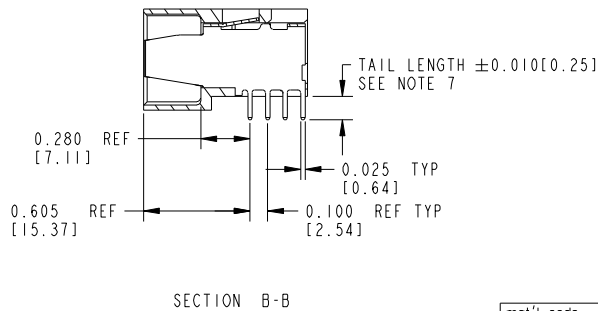
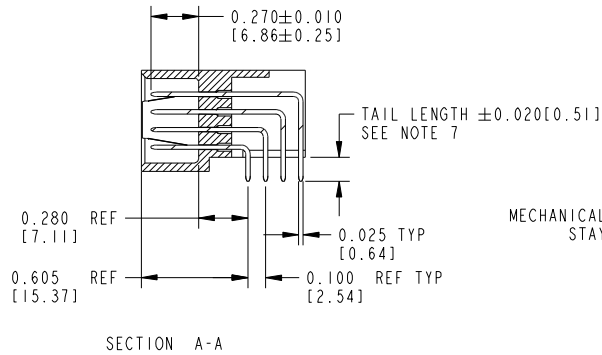
| | | | | | | | | | | | |
|-------------|----------------|----|------|---------------------------------------|---------------------------------|------------------|----------------|--|------|-------|--|
| mat'l code | | | | tolerances unless otherwise specified | | CUSTOMER COPY | | FCI www.fciconnect.com | | | |
| ltr | ecn no. | dr | date | linear | .XX \pm .01/.X \pm .3 | projection | | title | | | |
| M | | | | | .XXX \pm .005/.XX \pm .13 | | | RIGHT ANGLE HEADER w/o GUIDE PIN POWER / SIGNAL | | | |
| | | | | angles | .XXX \pm .0020/.XX \pm .051 | INCH / MM ← → | product family | PWRBLADE | | | |
| | | | | dr | 0° \pm 2° | | | size | code | | |
| | | | | enrg | D.BOGLE 05-18-99 | | | scale | A | 213 | |
| | | | | chr | J. BROWN 05-18-99 | | | | | 51726 | |
| | | | | appd | J. BROWN 05-18-99 | 2 | | | | | |
| sheet index | revision sheet | | | | | | | | | | |

form no. 7530-001-103

cage code 22526

Tous droits strictement réservés. Reproduction ou communication à des tiers interdite, sous quelque forme que ce soit sans autorisation écrite du propriétaire. Propriété de c.FCI. Droits de reproduction FCI.

PRODUCT NUMBER
 51726 - ABBCCC00E0__
 Note: ①
 SEE NOTE 1



All rights strictly reserved. Reproduction or issue to third parties in any form whatever is not permitted without written authority from the proprietor. Property of FCI. Copyright FCI.

| | | | | | | | | | |
|-------------|----------------|----|------|---------------------------------------|---------------------|---------------|----------------|----------------------------------|---------|
| mat'l code | | | | tolerances unless otherwise specified | | CUSTOMER COPY | | FCI www.fciconnect.com | |
| ltr | ecn no. | dr | date | linear | .XX±.01/.X±.3 | projection | title | RIGHT ANGLE HEADER w/o GUIDE PIN | |
| M | | | | | .XXX±.005/.XX±.13 | | | POWER / SIGNAL | |
| | | | | angles | .XXX±.0020/.XX±.051 | INCH / MM | product family | PWRBLADE | code |
| | | | | | 0° ± 2° | | | scale | 1:1 |
| | | | | dr | D.BOGLE 05-18-99 | | A | | SHEET 3 |
| | | | | enr | J. BROWN 05-18-99 | | | | |
| | | | | chr | J. BROWN 05-18-99 | | | | |
| | | | | appd | J. BROWN 05-18-99 | | | | |
| sheet index | revision sheet | | | | | | | | |

form no. 7530-001-103

cage code 22526